

If you press the SLIDESHOW button, a presentation of a series of views will start. Press it again to stop the slideshow.

3D VIEW

VIEW 1

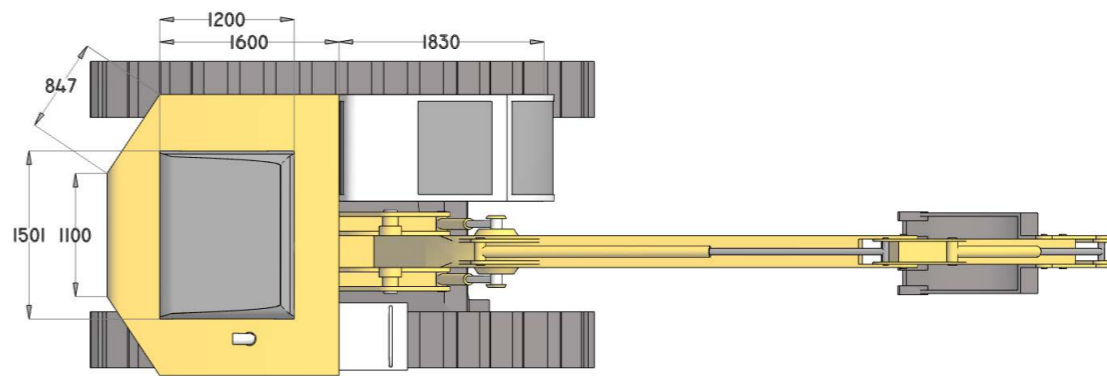
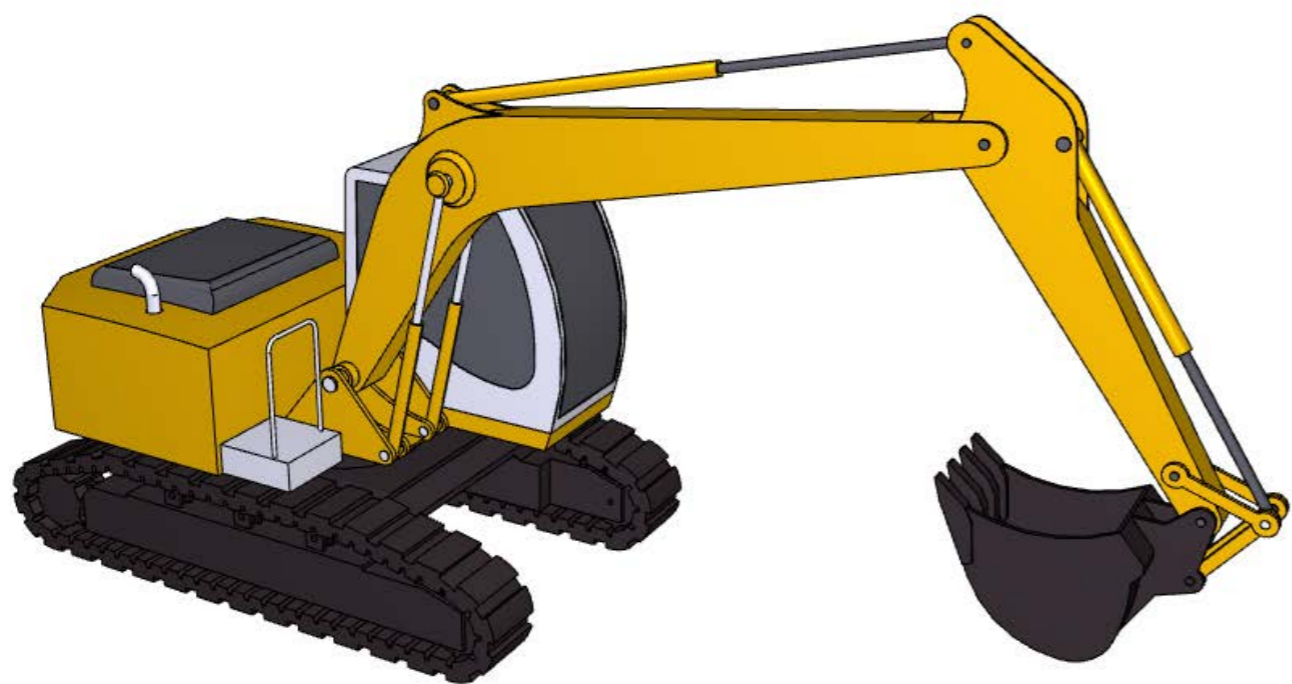
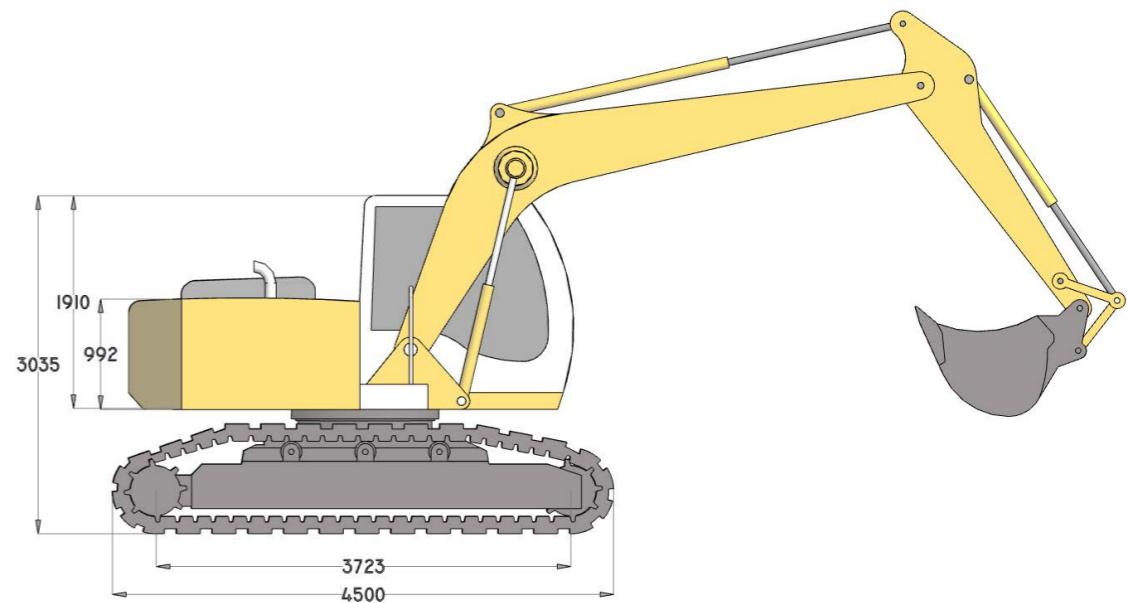
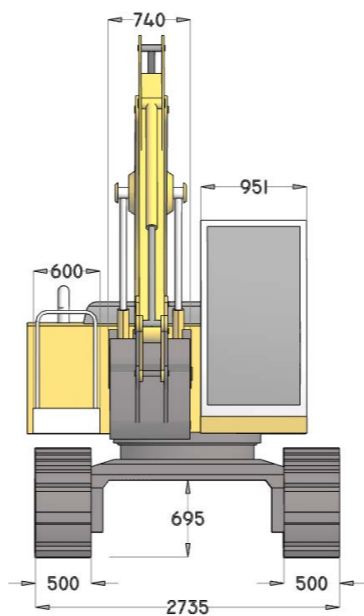
VIEW 2

SLIDESHOW

Click on the buttons to see different views.



Click on the images to see the orthogonic views.



In the 3D model you can press the left mouse button to rotate 3D object around or use the mouse wheel to zoom in/out.

Dwg By: R. ELIOT  
 Dsgn By: S. MOUNTAINS  
 Chk By:  
 Mat:  
 Date: 29/04/2017



Title: INTERACTIVE 3D MODEL,  
 EXCAVATOR - Mod.SM1974

Part No.: DC02869 Rev: