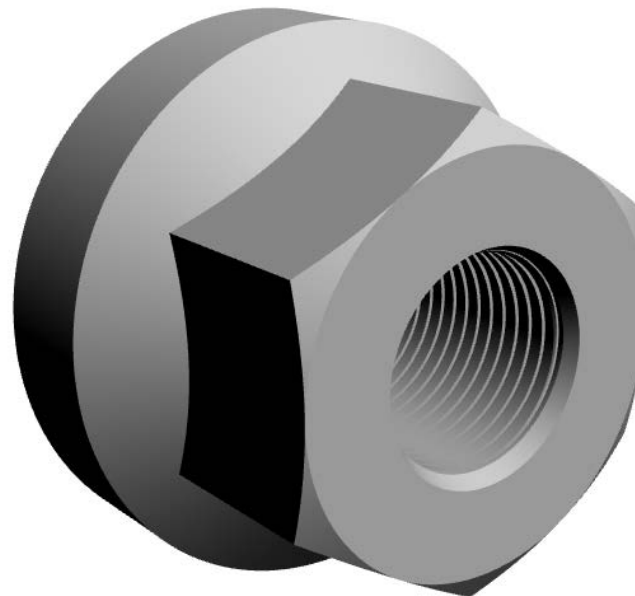

3D VIEW
VIEW 1
VIEW 2
SECTION
SLIDESHOW

Click on the images to see the specific dimensions.

 If you press the **SLIDESHOW** button, a presentation of a series of views will start. Press it again to stop the slideshow.

front dim.	side dim.	d1	d2	a	e	m	A/F
		M 6	14	3	11,5	9	10
		M 8	18	3,5	14,4	12	13
		M 10	22	4	17,8	15	16
		M 12	25	4	20	18	18
		M 14	28	4	24,6	21	22
		M 16	31	5	26,8	24	24
		M 20	37	6	33,5	30	30
		M 24	45	6	40	36	36
		M 30	58	8	51,3	45	46
		M 36	68	10	61,3	54	55


 3D MODEL
DIN 6331 - M6

Information

Collar nuts DIN 6331 are used on clamping applications which require frequent clamping and unclamping ($m = 1,5 \times d_1$).

The collar of the nut eliminates the need for washers.

The official standard sheet specifies the additional sizes M 27, M 42 and M 48.

Information

- Steel
- Tensile strength class 10 (1000 N/mm)
- RoHS compliant