

# SOCKETS INDUSTRIES


## Additional products and accessories Phase sequense products



New range of phase shifter products offers a safe and quick solution to the problem with wrong phase sequense in an electrical installation.

### Plug Shifter, 16 A, IP44 Splashproof

Plastic enclosure (PA), Cable area/connection area 1-2.5 mm<sup>2</sup>

Terminals/ poles	Color code	Voltage V	Frequency Hz	Type	Order code	Pack qty	Weight kg/ea
Rated current 16 A 3P+N+E							
5	 Red	346-415	50 and 60	416PFV6 *	2CMA168131R1000	1	0.19

Dimensions: display 3D VIEWS

Click the lower buttons to  
display 3D VIEWS

3D VIEW

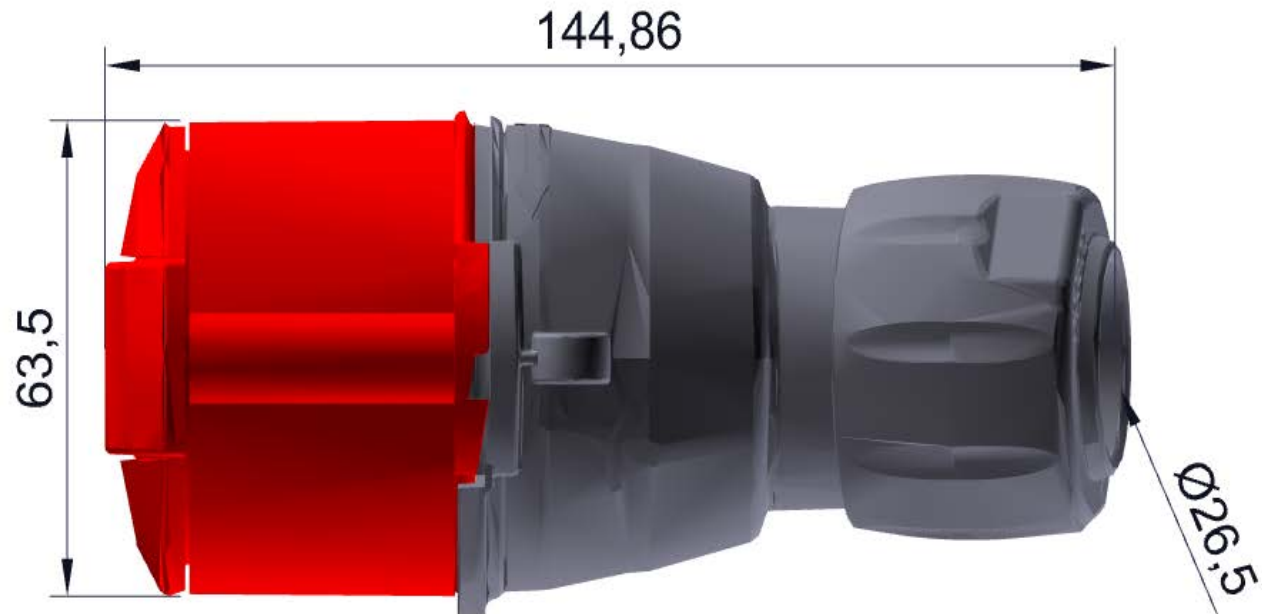
TOP

SIDE

NOTES

EXPLODE

SLIDESHOW



Use Acrobat Reader to  
display the 3D model

In the 3D model you can press the left mouse button to rotate  
3D objects around or use the mouse wheel to zoom in/out