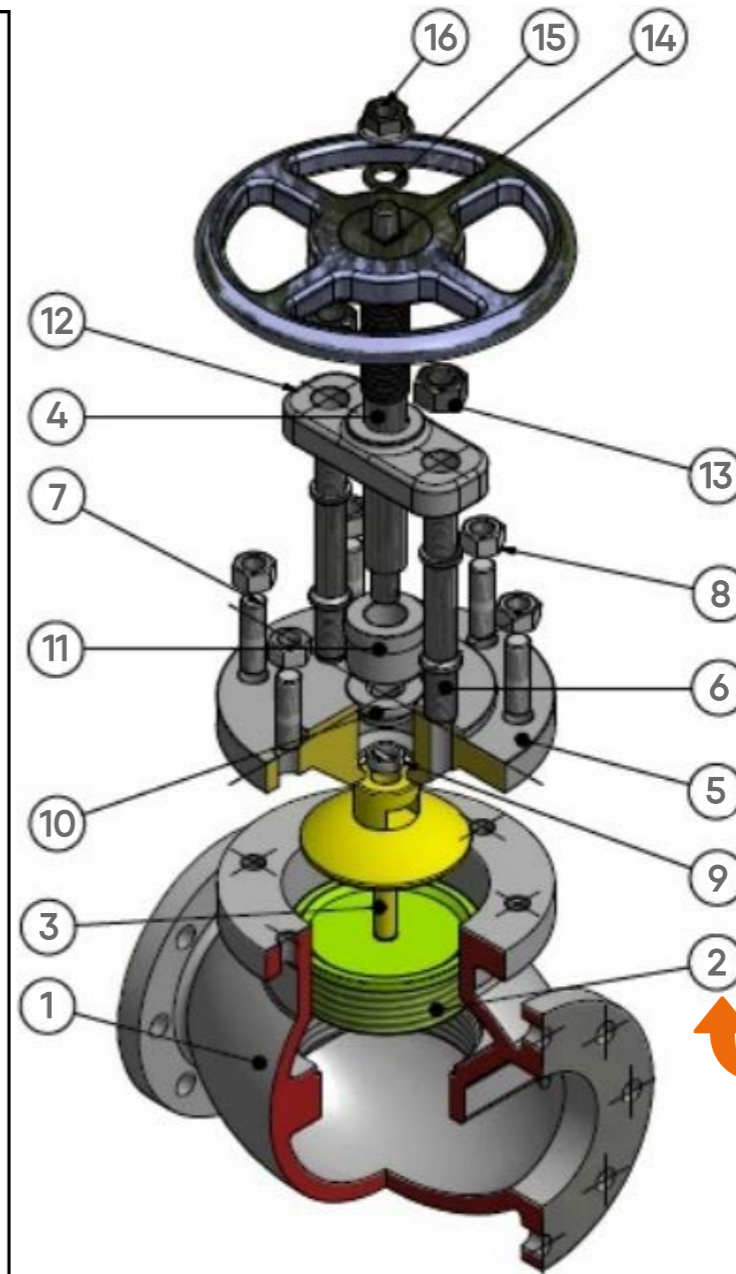
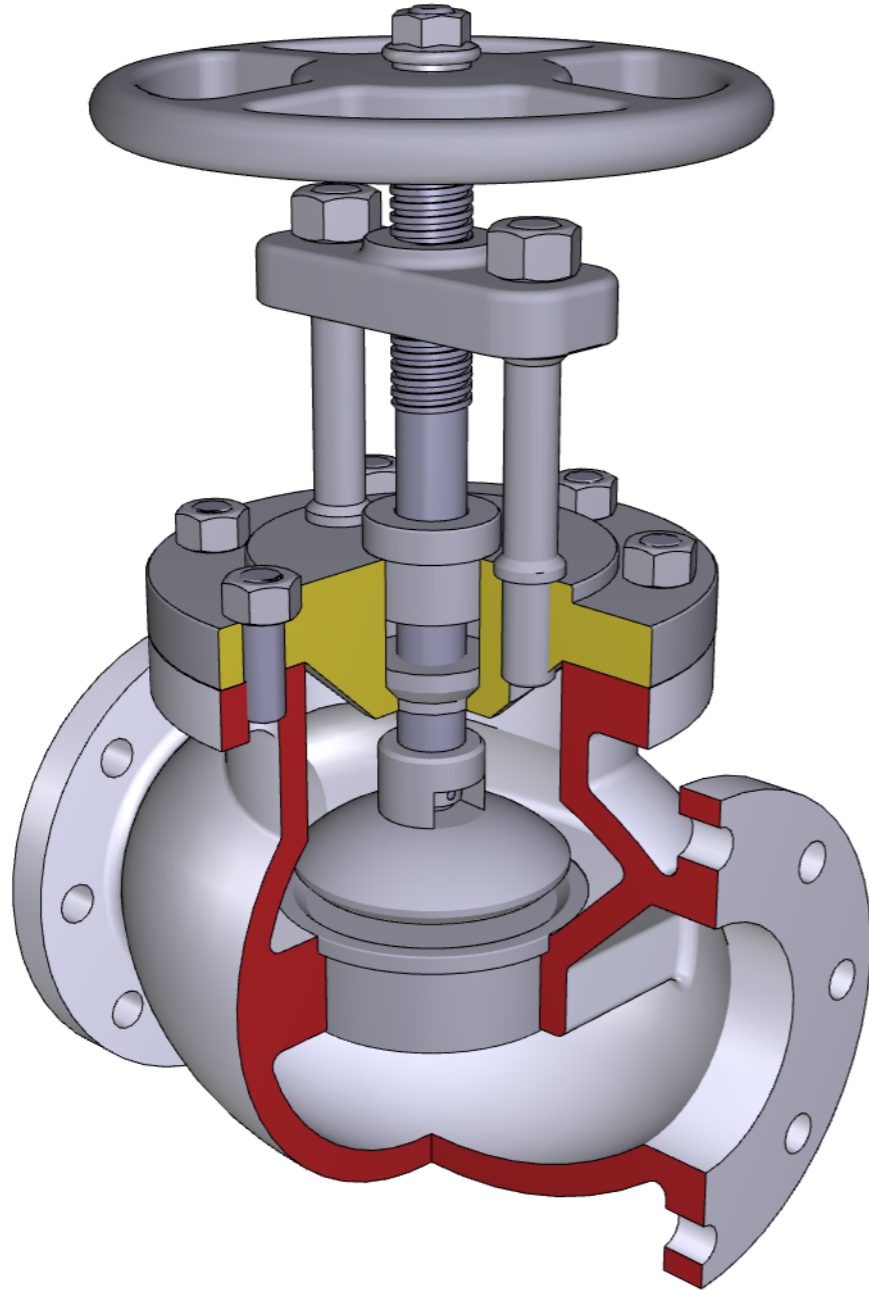


In the 3D model you can press the left mouse button to rotate 3D object around or use the mouse wheel to zoom in/out.



PARTS LIST	
N°	PART NAME
1	Body
2	Valve seat
3	Valve
4	Shaft
5	Cover
6	Stud
7	B 1173 - M20x35
8	ISO 4032 - M20
9	Collar
10	Neck bush
11	Gland
12	Bridge
13	ISO 4032 - M24
14	Hand wheel
15	ISO 7092 - ST 20 - 140 HV
16	ISO 4161 - M20

Click on the numbers to isolate the specific parts and focus on them.

3D Model By: DEA

Dsgn By: DEA

3D PDF By: E. R.

Mat:

Date: 24/4/2017



www.3dpdfmaker.com

Title:

INTERACTIVE 3D MODEL,  
STOP VALVE

Part No.:

MB0286

Rev:

3D VIEW

FRONT

SIDE

TOP

SLIDESHOW

If you press the SLIDESHOW button, a presentation of a series of views will start. Press it again to stop the slideshow.